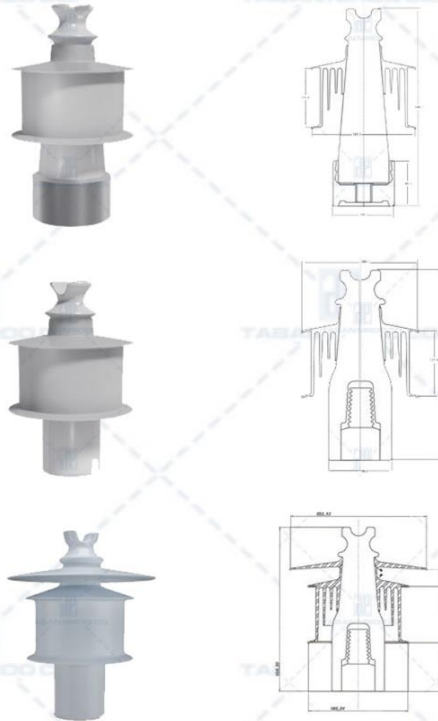




# TABAN NIROO CO.

## DENA POWER LINE INSULATORS



### HYBRID - PIN TYPE & LINE POST TYPE INSULATORS

Type of Insulators	DPL24-790H-L	DPL24-880H-P	DPL36-990H-L	DPL36-1080H-P
Rated Voltage	24	24	36	36
Dry Arc Distance mm	235	315	310	390
Creepage Distance mm	790	880	990	1080
Cantilever Strength KN	10.5	8	10.5	8
Dry Power Frequency Withstand Voltage KV rms	135	145	155	180
Wet Power Frequency Withstand Voltage KV rms	70	95	95	120
Lightning Impulse Withstand Voltage KV Peak	175	210	200	240
Puncture Withstand Test KV	>200	>200	>200	>200
Net Weight Kg	5.4	4.2	5.9	4.7
WATER PENETRATION TEST	LWIWG-02(96), clause 5.1K			
1000HRS SALT FOG TEST	IEC 62217 (2005), clause 9.3.3.1			
TEMPERATURE CYCLE TEST	IEC 60383-1(1993), clause 23.1			
ACCELERATED WEATHERING TEST	IEC 62217(2005), clause 9.3.2			



according to IEC 61109 (2008) & IEC 62217 (2005)